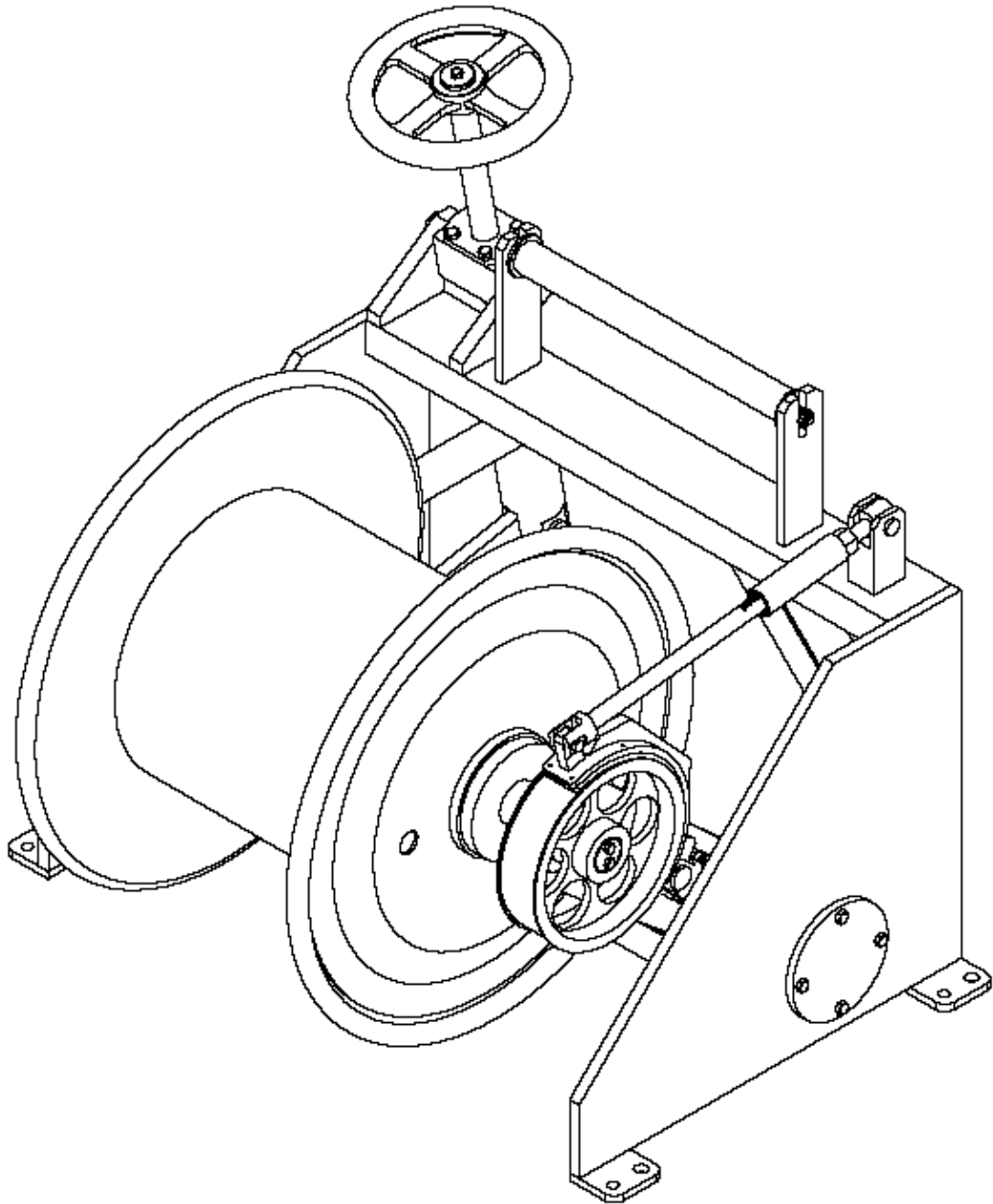


# DSM-1250 PAY-OFF



## **Intent of the device**

Pay-off is used for unwinding of wire or insulated cable from drum with the flange diameter of 630 mm. Pay-off is supplied with an adjustable drum brake preventing spontaneous unwinding.

## **Technical specification**

Maximum brake force – 200 H m

Overall dimensions, length x width x height = 800 x 930 x 863 mm/

Weight – 130 kg.