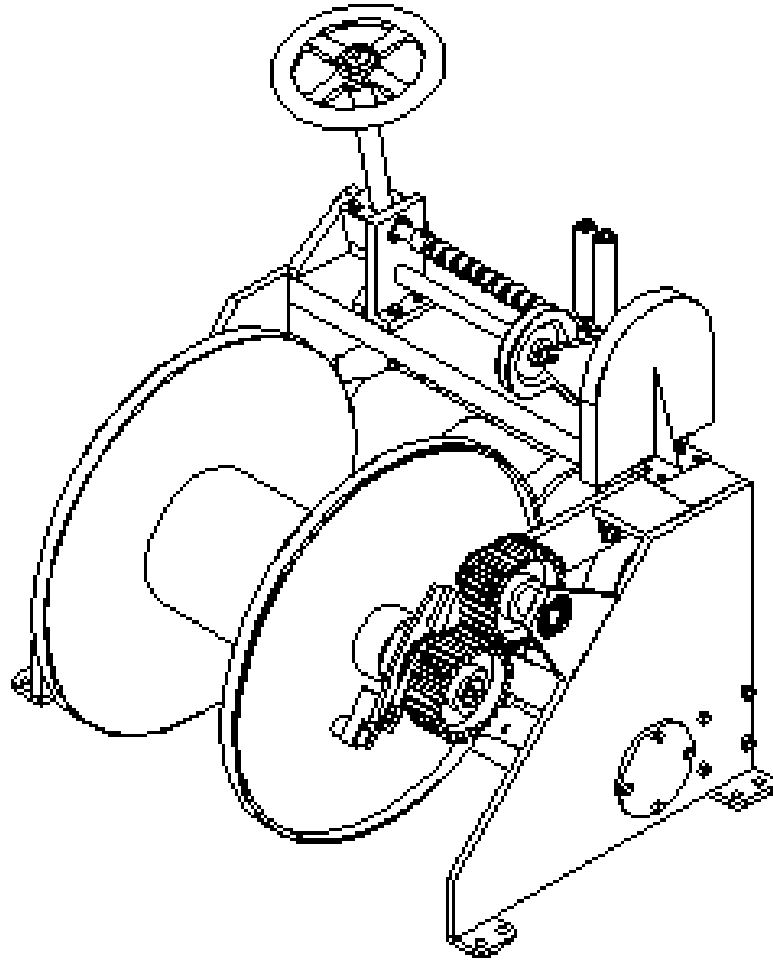


## S7 630/10 TAKE-UP



### **Equipment purpose**

Take-up is used for winding a wire or insulated cable on the drum.

Winding is made on the metal drum with the flange diameter of 630 mm. Take-up is provided by electrical drive and it winds a wire with necessary tension which is manually set by a regulator.

### **Technical specification**

Maximum pulling force – 50 kg

Maximum speed – 30 m/min

Traverse pitch is  $t=6$  mm per one drum turn

Motor power – 0,75 kW

Overall dimensions, length x width x height = 740 x 960 x 903 mm

Weight – 190 kg